

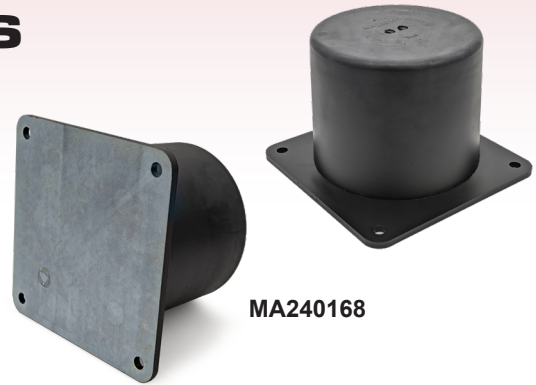
## CYLINDRICAL BUFFERS

### FEATURES

Buffer consists of a cylindrical rubber body bonded to a square baseplate of steel. Each corner of the baseplate has a fixing hole.

Special high-hysteresis rubber compound is used to ensure as much energy absorption as possible. The volume of the rubber is used at optimum efficiency.

For new machine developments simpler designs and lighter calculated forces can be considered enabling a lower cost.



MA240168

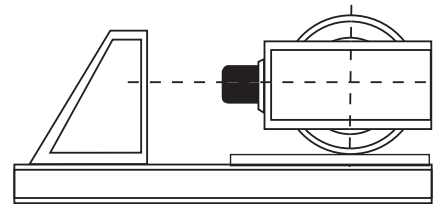
The shockbuffer is used to effectively limit movement of equipment or machine components.

### TYPICAL FIELD APPLICATIONS WOULD BE:

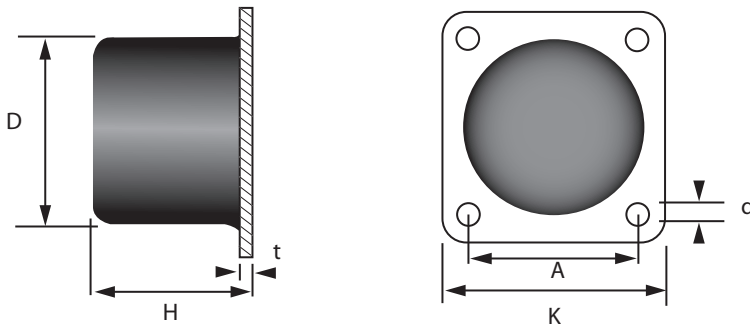
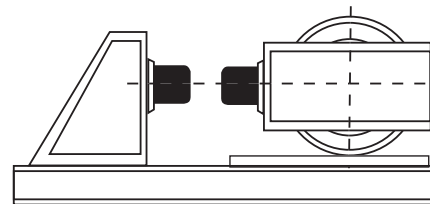
- Wagons
- Cabinets
- Traversing cranes
- Forestry vehicles
- Lifting cranes
- Off-road material handling equipment
- Working beams
- Container handling equipment
- Falling goods

Through the low resilience of the rubber a high degree of energy absorption is achieved. The rubber is stiffer under dynamic conditions compared to static or pseudo static loading; hence more energy is absorbed for a given deformation.

Traverse crane with shock Buffer



Traverse crane with 2 Buffers connected in series



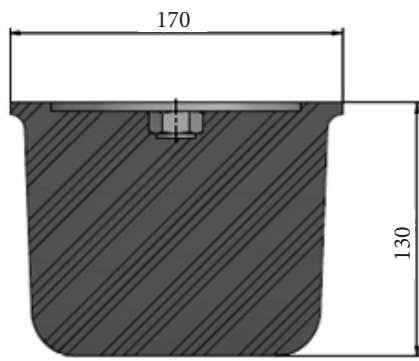
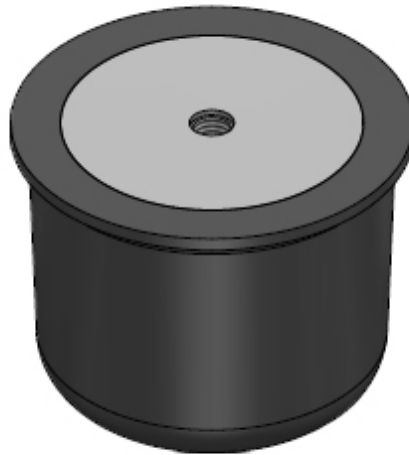
MA185150

Part No.	Dimensions						Compression		Weight Kg
	K	A	D	d	H	t	Load Kg-F	Def mm	
M2255290	70	50	50	7	43	3	816	21	0.2
MA2255300	100	75	75	9	63	3	2000	30	0.5
MA2255310	130	100	100	11	84	4	4100	40	1.2
M117001	185	150	160	14	125		5000	50	
MA185150	185	150	150	13.5	126	6	9100	60	3.9
MA240168	240	200	200	13.5	168	8	18300	82	9.1
* M117002	315	250	250	14.5	208		40000	100	

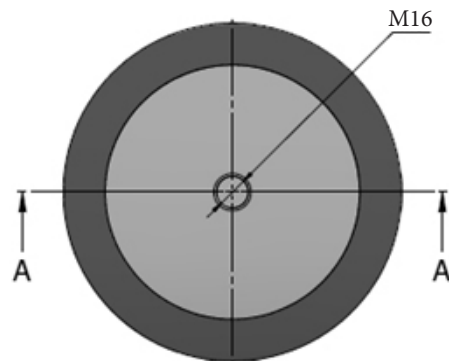
\* Special order Only

## LARGE BUFFERS

Special order Only



SECTION A-A



Part No.	Compressions		Weight Kg
	Load Kg-F	Def mm	
M113232	5000	50	2.73